

SOLENOID VALVES WITH NEW CONSTRUCTION



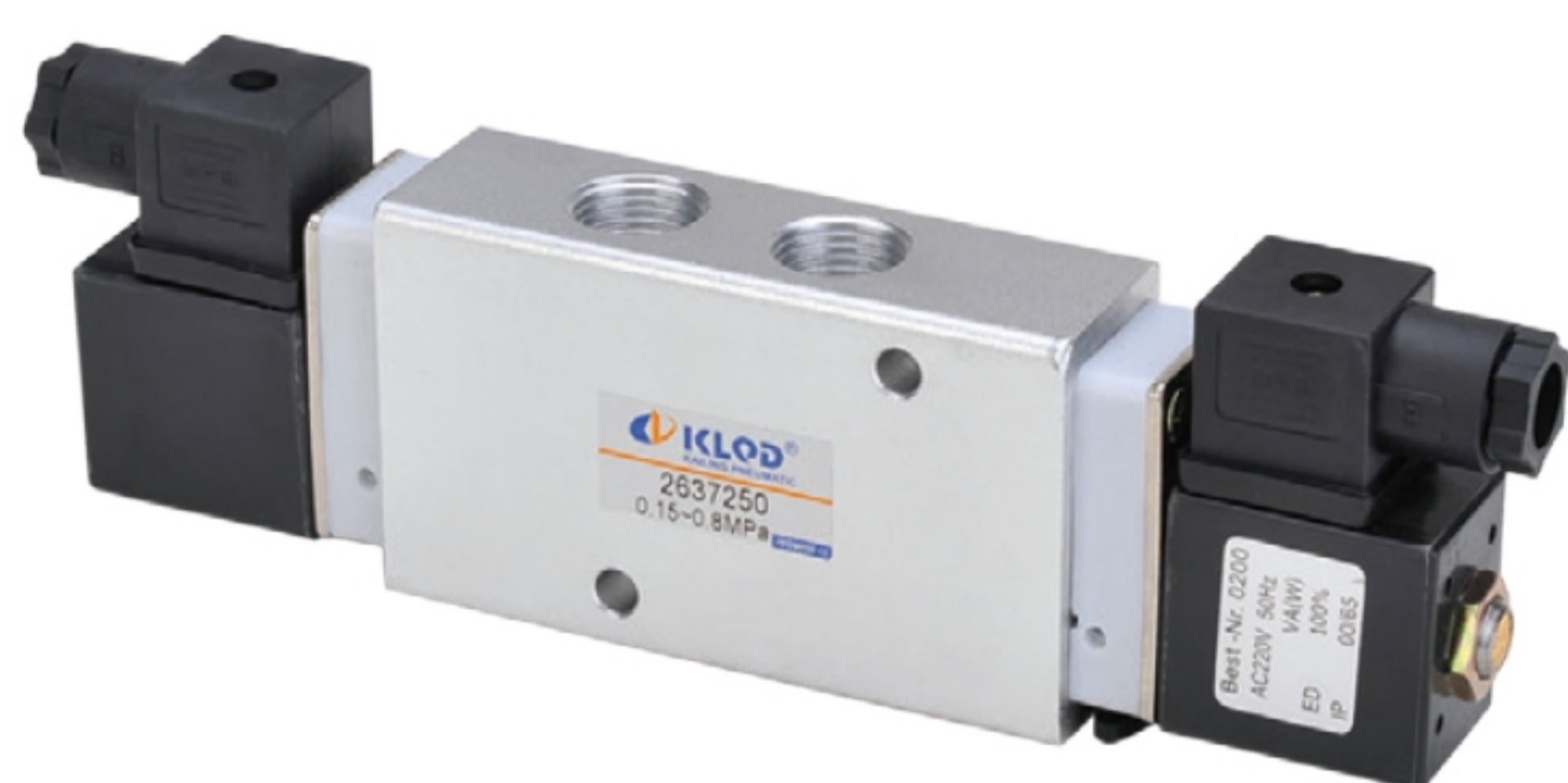
2630600



2636200



2637050



2637250



8020750

Ordering Code

263 - 6000

Series Code
5/2 Way Pillar
Type Solenoid
Valves

Orifice
"6000" "6200" express that latus rectum is 6mm;
and "6000" expresses the single electricity,
"6200" expresses the double electricity;
"7050" "7250" express that latus rectum is 12mm,
and "7050" is the single electricity,
"7250" is the double electricity.

802 - □ - □□□

Series Code
3/2 Way Pillar
Type Solenoid
Valves

Often Passes
0: Single Electricity
1: Double Electricity
2: Often Passes

Orifice
"750" express that latus
rectum is 6mm;
"850" "950" express that
latus rectum is 12mm;

2630 - □□ - 0

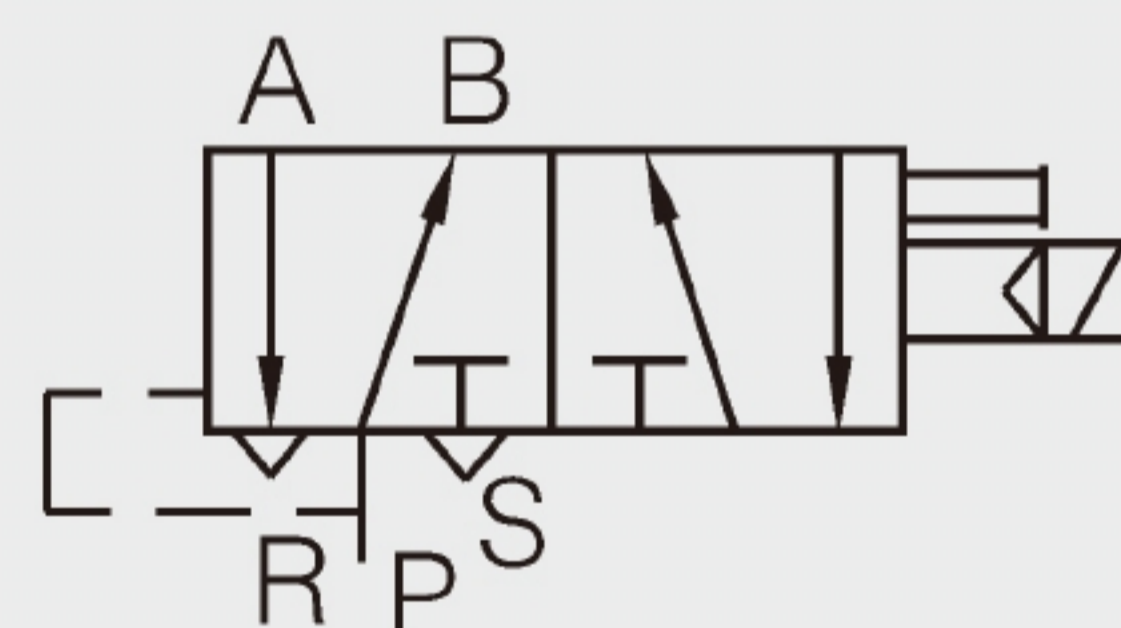
Series Code
4/2 Way Pillar
Type Solenoid
Valves

Often Passes
"60" expresses the
single electricity,
"70" expresses the
double electricity,
that latus rectum
is 4mm

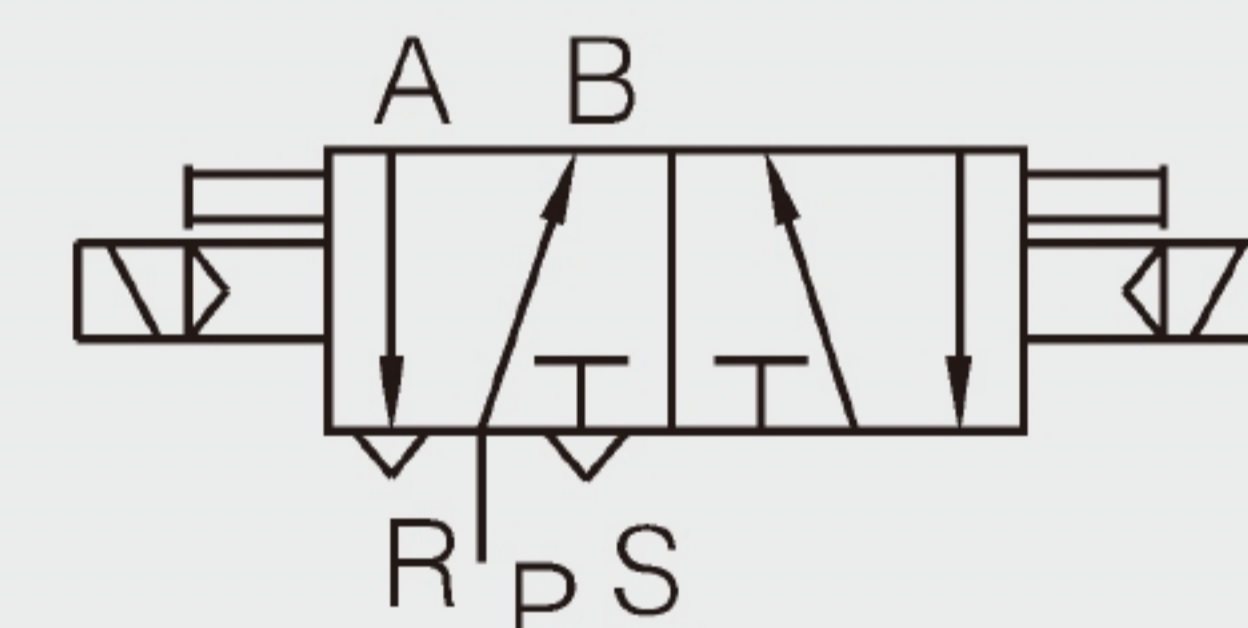
Exhaust Type
"0" expresses direct ex-
haust type;
"1" expresses soleplate
drawing-out exhaust type

Graphic Symbol

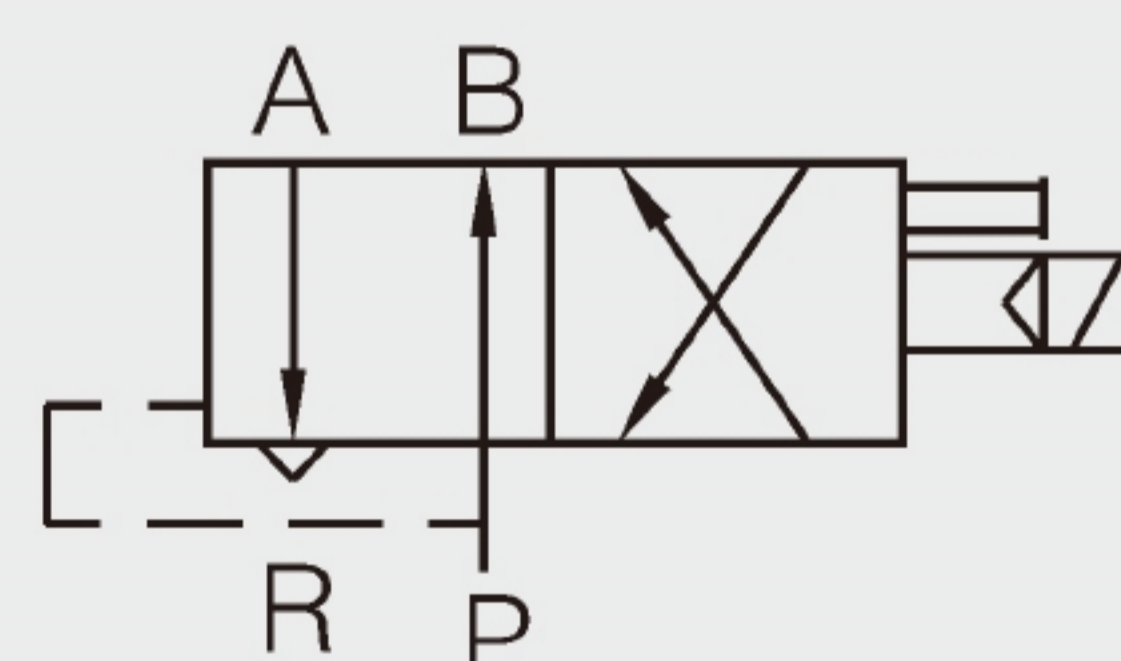
2636000
2637050



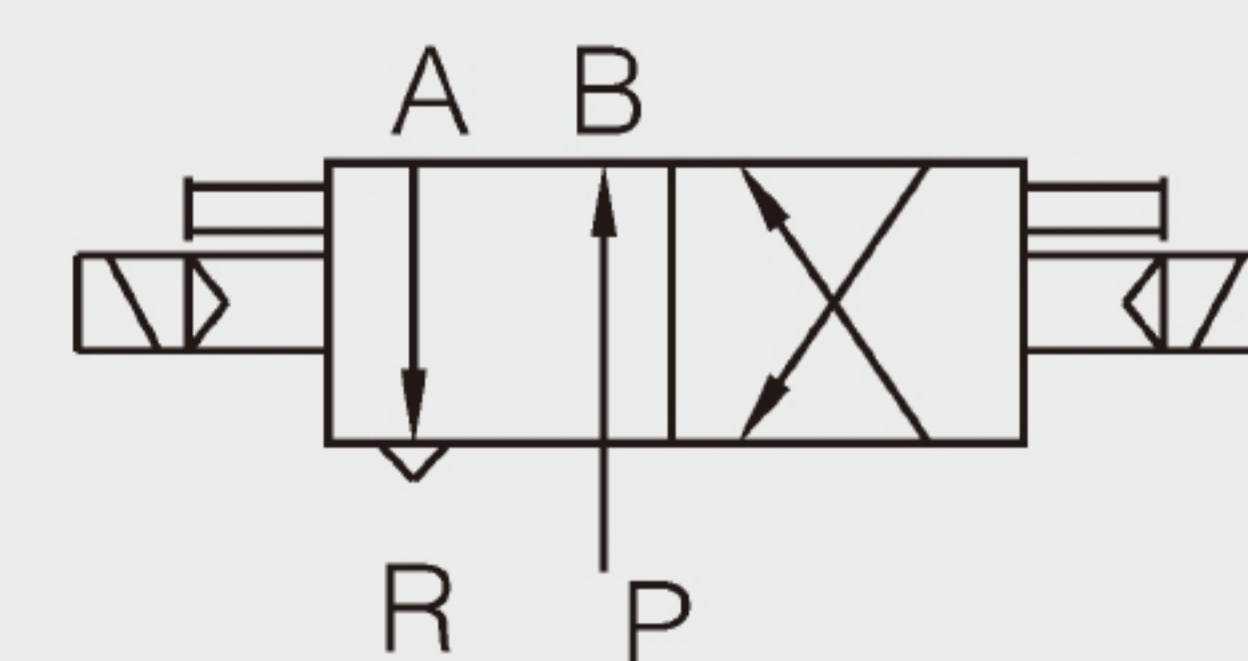
2636200
2637250



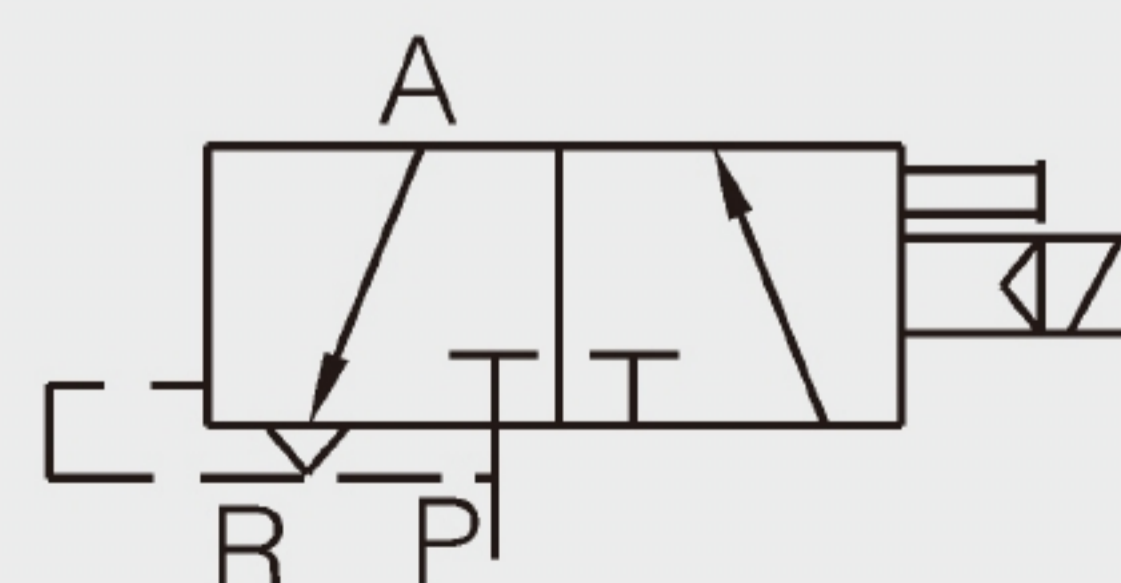
2630600
2630601



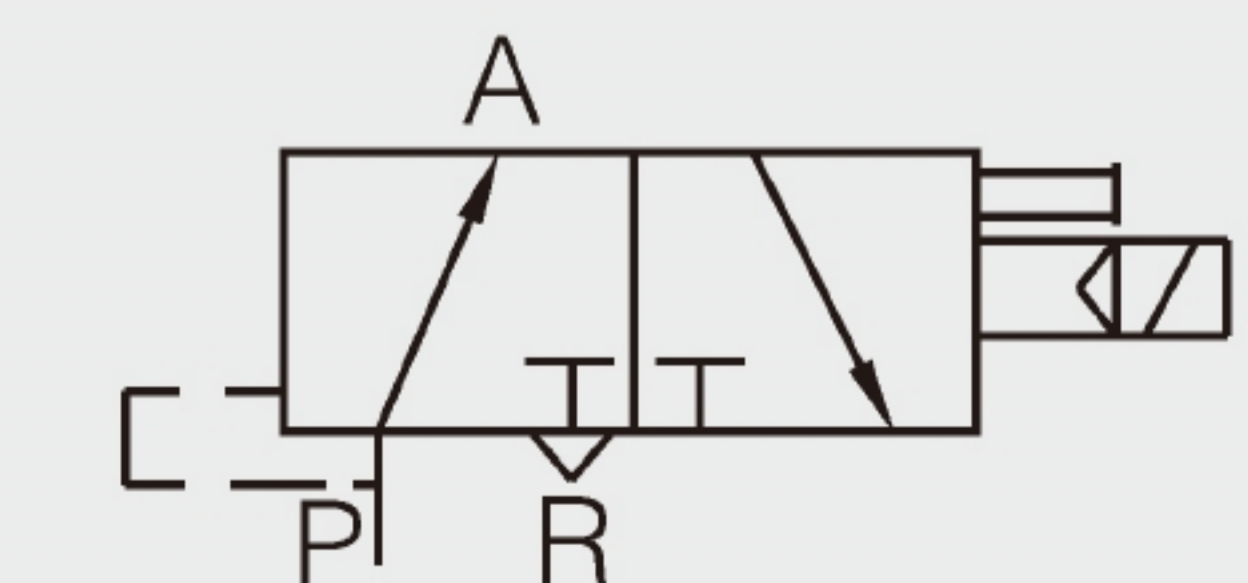
2630700
2630701



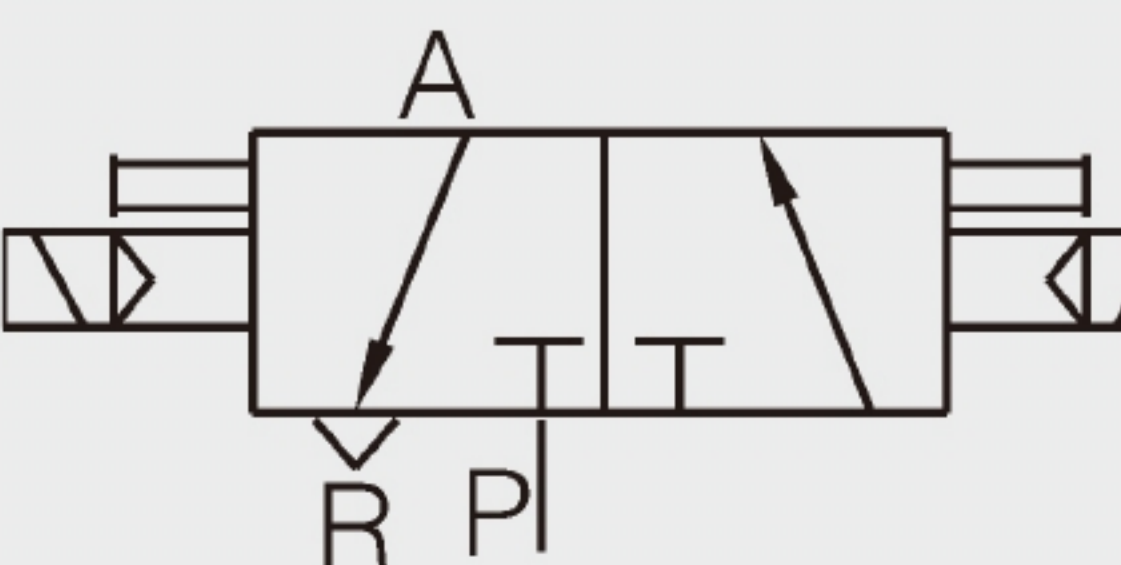
8020750
8020850



8022750
8022850



8021750
8021950

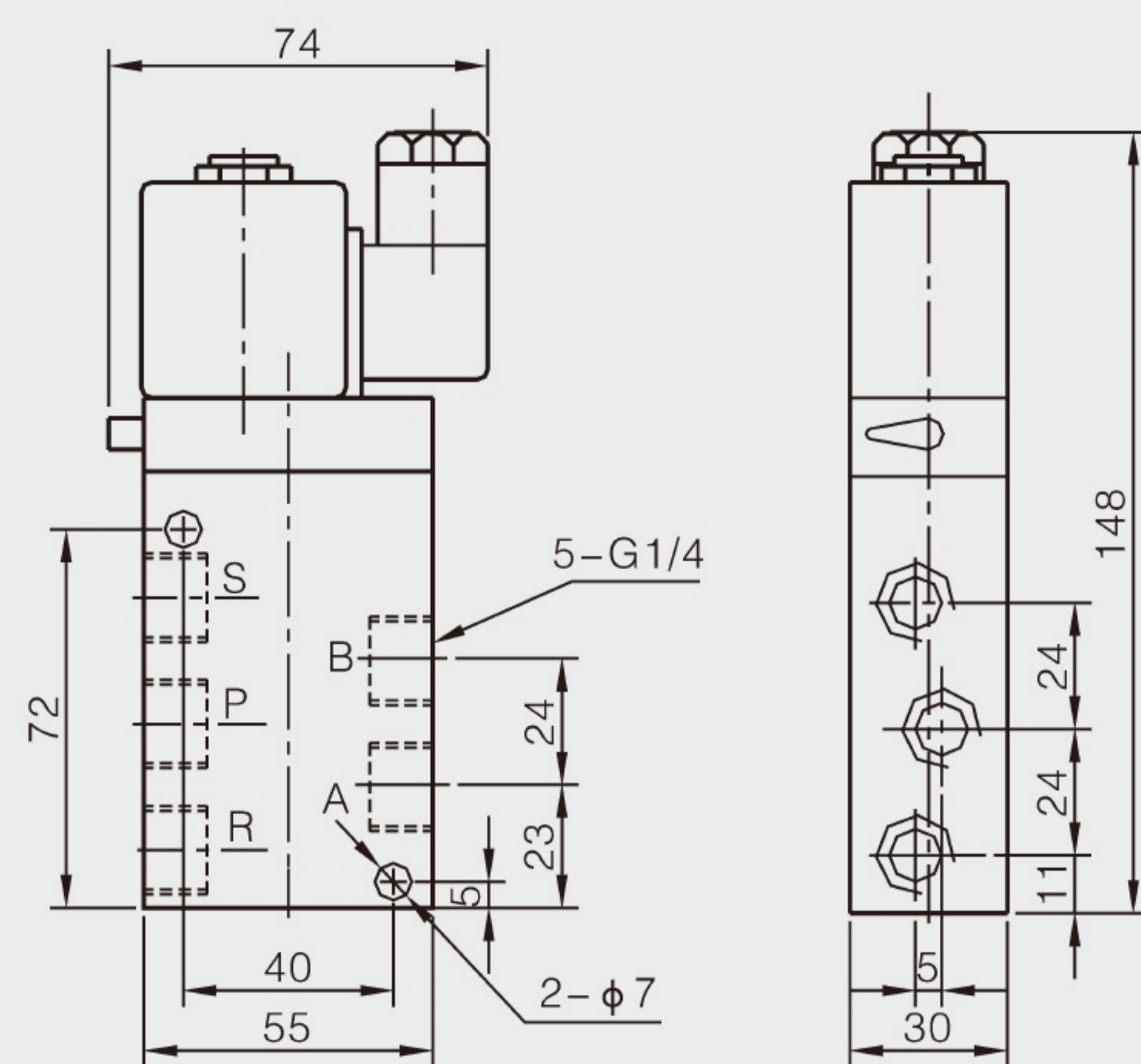


SOLENOID VALVES WITH NEW CONSTRUCTION

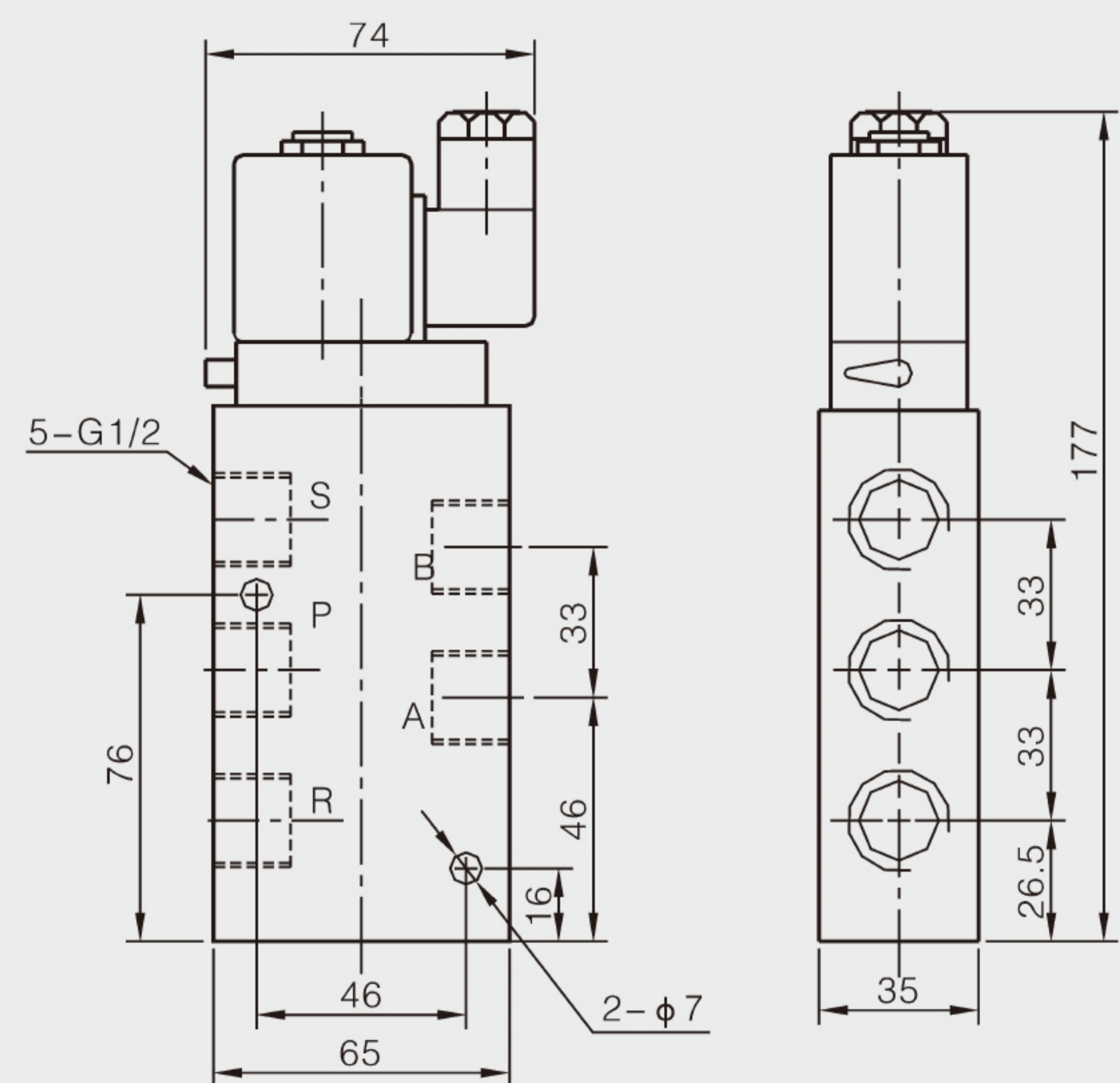
Specification

Parameter	Order Code	2630600	2630700	2636000	2636200	2637050	2637250
		2630601	2630701	8020750	8022750	8020850	8022850
Effective Section Area		4		10		40	
Working Pressure (MPa)		0.15 ~ 0.8					
Turn-around Time (S)		≤ 0.04					
Ambient Temperature (°C)		-10 ~ 55					
Medium Temperature (°C)		-5 ~ 50					
Power Supply and Voltage (V)		AC: 220,110,36 DC: 24,12 Voltage hunting permission amounts to definite value+10% ~ -15%					
Life (Ten Thousand Times)		≥ 200					

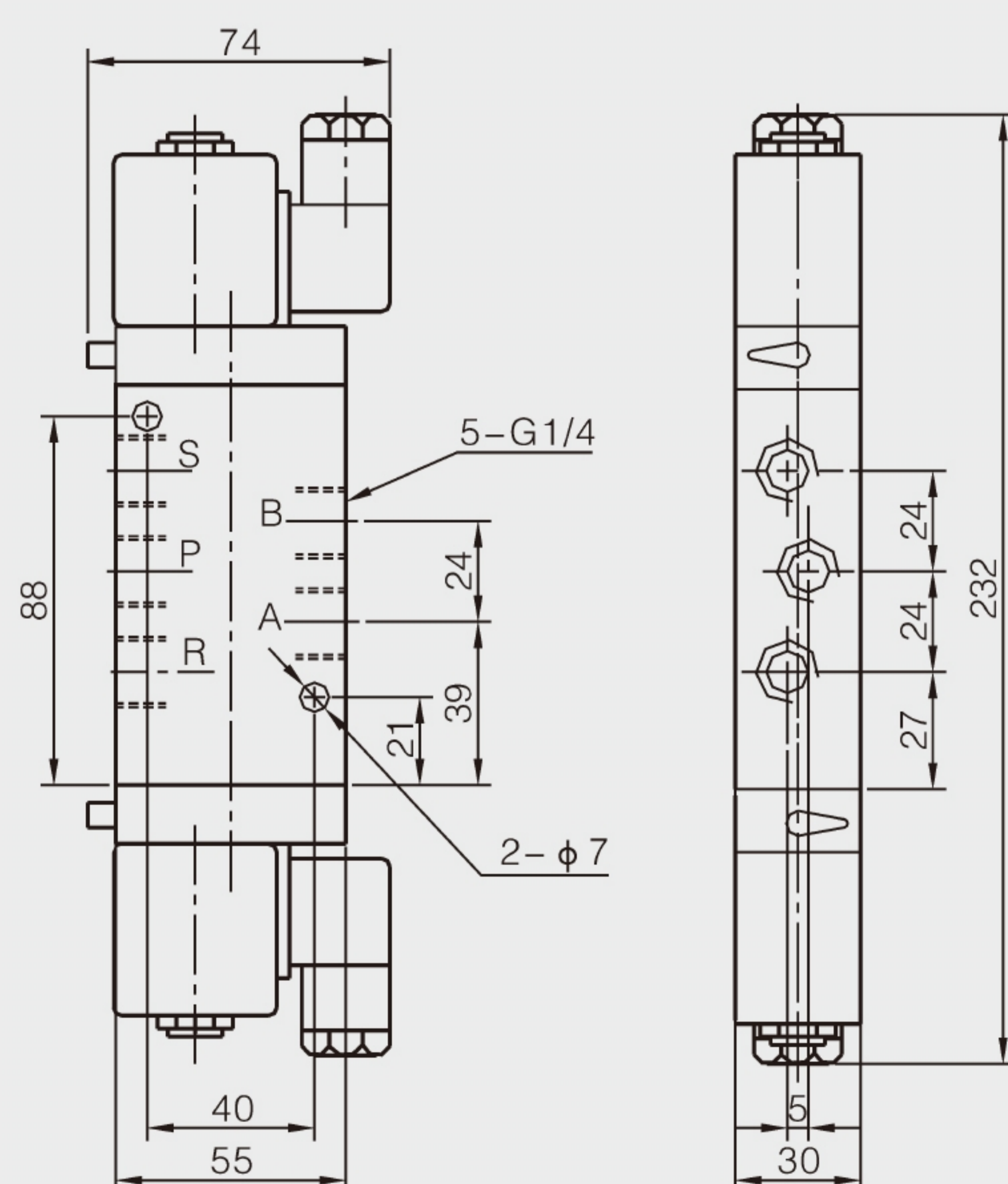
Overall Dimension



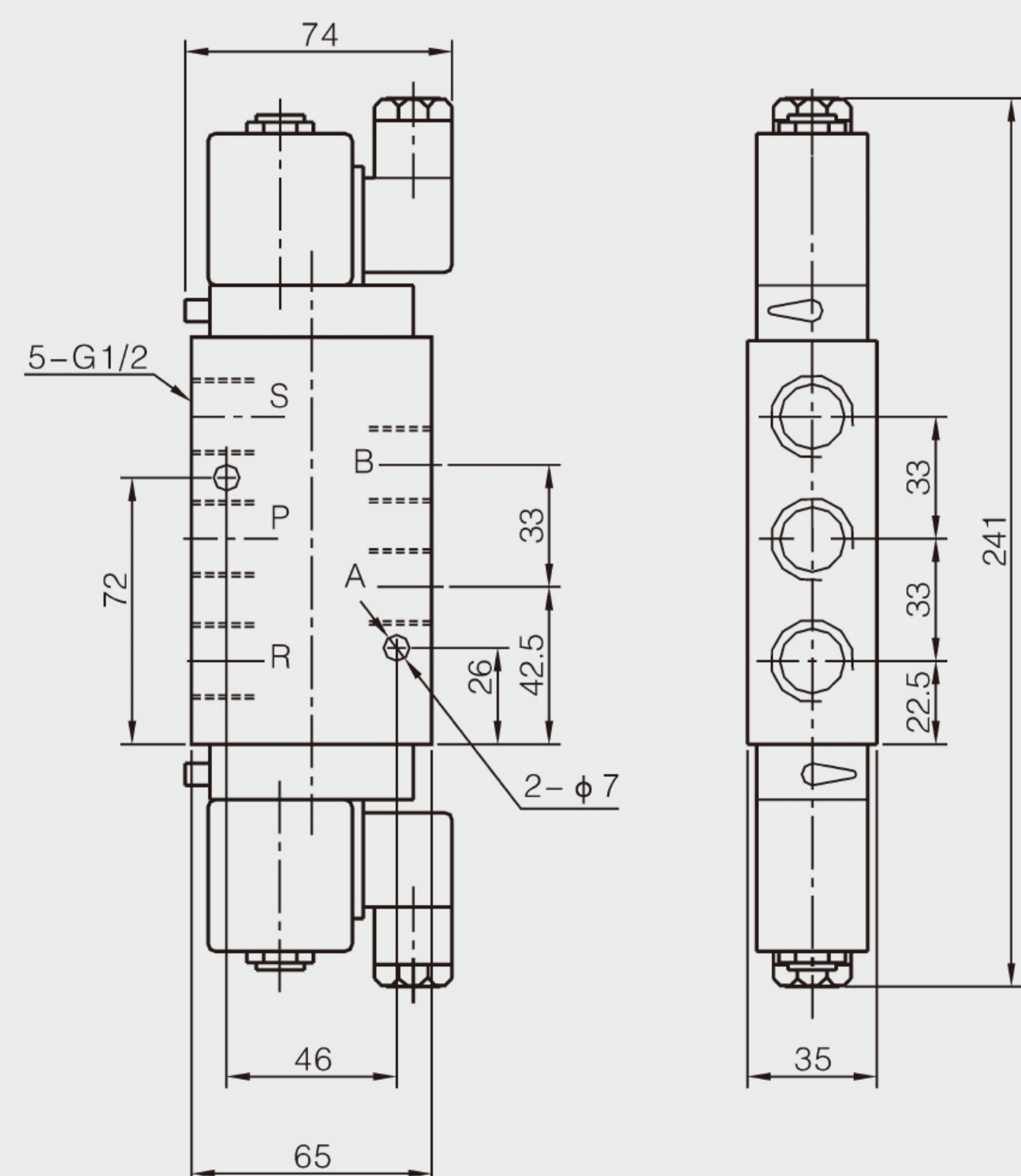
2636000



2637050



2636200



2637250